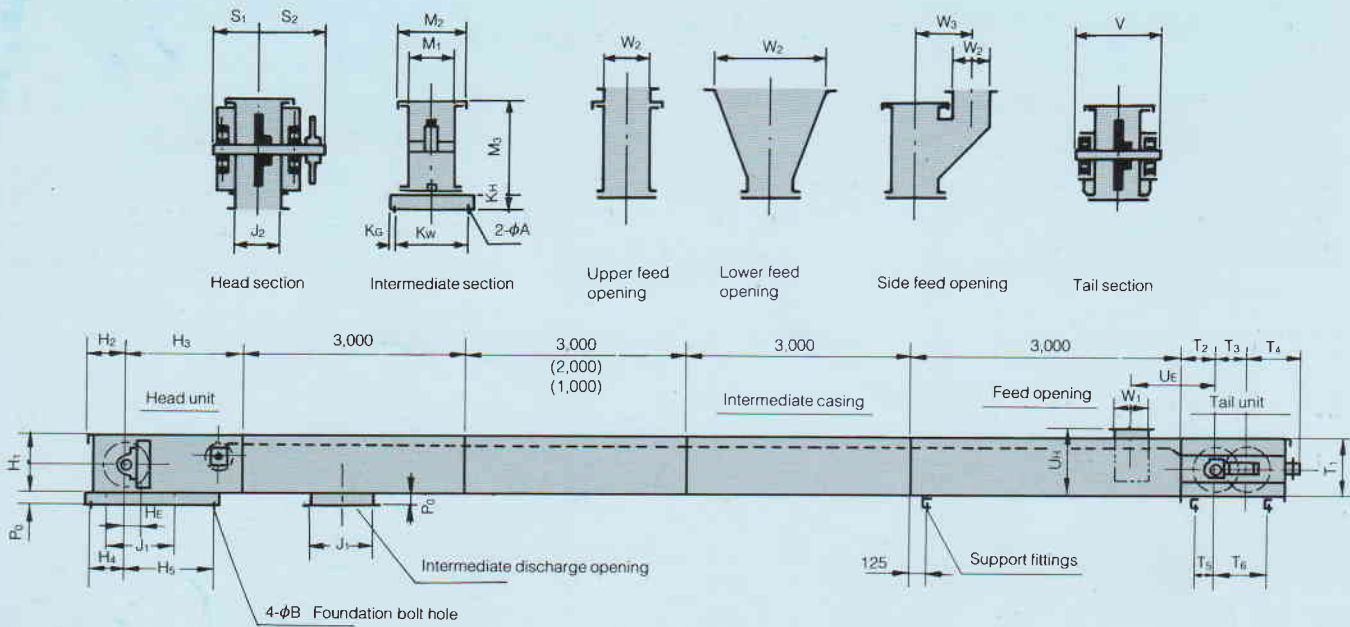


# S STANDARD DIMENSIONS



Size	Head Casing						Head Shaft		Intermediate Casing		
	H <sub>1</sub>	H <sub>2</sub>	H <sub>3</sub>	H <sub>4</sub>	H <sub>5</sub>	H <sub>E</sub>	S <sub>1</sub>	S <sub>2</sub>	M <sub>1</sub>	M <sub>2</sub>	M <sub>3</sub>
FC150	397	260	800	250	600	150	215	345	150	240	397
FC200	498	300	1,000	290	750	150	250	390	200	290	498
FC270	628	360	1,200	350	800	200	295	435	270	390	628
FC350	811	440	1,500	430	1,150	200	380	550	350	470	811
FC450	1,012	530	1,900	520	1,400	250	495	695	450	570	922
FC580	1,262	640	2,200	620	1,500	300	585	805	580	730	1,102

Size	Tail Casing						Tail Shaft	Support Fittings				
	T <sub>1</sub>	T <sub>2</sub>	T <sub>3</sub>	T <sub>4</sub>	T <sub>5</sub>	T <sub>6</sub>	V	K <sub>H</sub>	K <sub>W</sub>	K <sub>G</sub>	φ <sub>A</sub>	φ <sub>B</sub>
FC150	397	300	150	413	150	300	430	100	210	25	15	19
FC200	498	300	200	473	150	450	490	100	260	25	15	19
FC270	628	400	250	563	250	500	610	125	340	30	19	24
FC350	811	500	350	690	350	700	740	125	420	30	19	24
FC450	922	500	350	690	350	700	840	125	520	30	19	24
FC580	1,102	600	450	831	450	950	1,000	150	660	35	24	28

Size	Feed Opening		Upper Feed		Lower Feed Opening		Side Feed Opening			Discharge Opening		
	U <sub>E</sub>	U <sub>H</sub>	W <sub>1</sub>	W <sub>2</sub>	W <sub>1</sub>	W <sub>2</sub>	W <sub>1</sub>	W <sub>2</sub>	W <sub>3</sub>	P <sub>0</sub>	J <sub>1</sub>	J <sub>2</sub>
FC150	700	437	250	150	150	450	250	120	220	100	450	150
FC200	700	538	310	200	200	560	310	150	260	100	560	200
FC270	900	678	380	270	270	680	380	200	350	125	680	270
FC350	1,100	861	470	350	350	830	470	250	410	125	830	350
FC450	1,300	972	570	450	450	1,000	570	310	490	125	1,000	450
FC580	1,600	1,167	690	580	580	1,200	690	400	630	150	1,200	580

dimensions in mm